



CRA

REMOTE SENSING TYPE

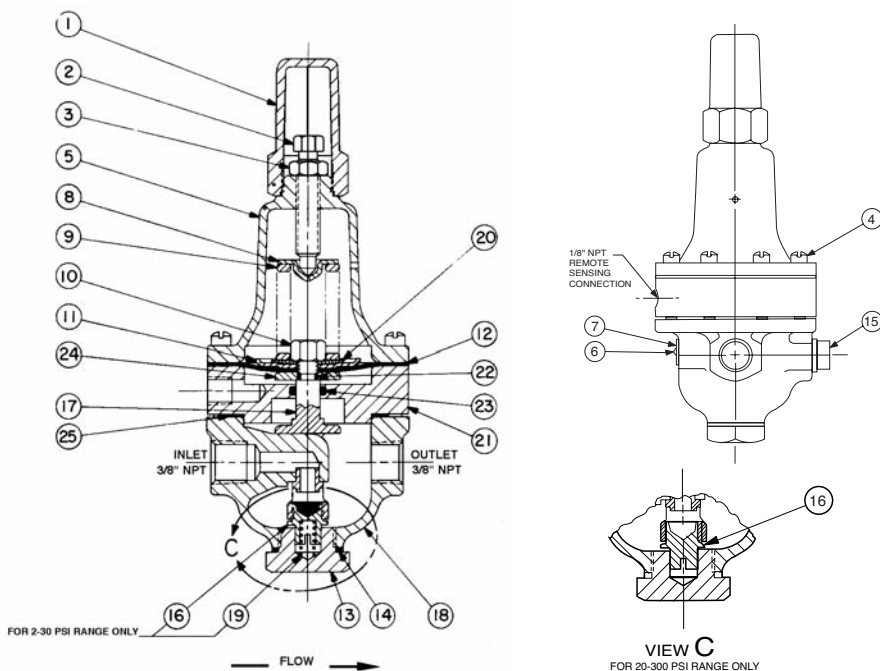
Pressure Reducing Control

When ordering parts specify:

- All nameplate data
- Description
- Item number

Size (inch)	Stock Number	SEAT DIA.	Adjustment Range(PSI)
3/8	79744-03D	1/4	15-75
3/8	79744-03D	1/4	30 - 300
3/8	79744-03D	1/4	2 - 30
Factory Set Pressure			PSI per Turn*
2 - 30 set @ 10 psi			3.0
15 - 75 set @ 20 psi			9.0
30 - 300 set @ 60 psi			27.0

*Approximate-Final Adjustment should be with a pressure gauge and with flow.



Item	Description	Material	Part Number	List Price
1	Cap	PL	67628J	
2	Adjusting Screw	BRS	7188201D	
3	Jam Nut (3/8-16)	303	6780106J	
4*	Machine Screw 10-32x1-1/4"(Fil.Hd.) 8 Req'd	SS	6757874A	
5	Cover	BRS	C2544K	
6	Nameplate Screw	SS	67999D	
7	Nameplate	BRS	C0022001G	
8	Spring Guide	302	71881H	
9	Spring (15-75 psi)	CHR/VAN	71884B	
	Spring (30-300 psi)	CHR/VAN	71885B	
	Spring (2 - 30 psi)	SS	81594E	
10	Hex Nut 5/16 - 18	303	71883D	
11	Diaphragm Washer (upper)	302	71891G	
12*	Diaphragm	NBR	C6936D	
13	Plug, Body	BRS	V5653A	
14*	Gasket	Fiber	40174F	
15	Plug, 3/8 NPT	BRS	6766003F	
16*	Disc Retainer Assy. (15 - 75 psi)	BZ/Rub	C5256H	
	Disc Retainer Assy. (2 - 30 psi)	BZ/Rub	C5255K	
	Disc Retainer Assy. (30 - 300 psi)	BZ/Rub	C5256H	
17	Yoke	VBZ	C1799A	
18	Body & Seat Assy, 1/4" Seat only 1/4"	BR/SS	8339701J	
19*	Bucking Spring (Required with 2 - 30psi)	302	V05586	
20	Belleville Washer	STL	7055007E	
21	Powertrol Body	BRS	C3388A	
22*	O-Ring	NBR	00708J	
23*	O-Ring	NBR	00746J	
24	Diaphragm Washer (lower)	BRS	C1804J	
25	Gasket	NBR	8059401D	
*	Repair Kit (No Bucking Spring)	Buna®-N	9170003K	
*	Repair Kit (with Bucking Spring)	Buna®-N	9170001D	