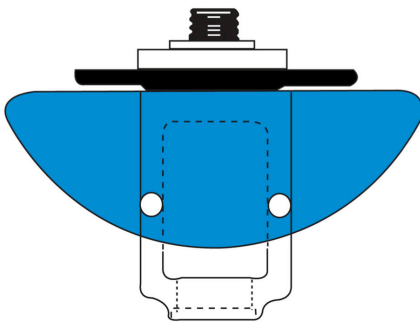


Item #	Description
1	Cap Plastic
2	Adjusting Screw
3	Jam Nut 3/8-16
4	Cover
5	Screw
6	Spring Guide
7	Spring
8	Hex Nut 303 SS
9	Belleville Washer
10	Diaphragm Washer
11	Diaphragm
12	Yoke
13	Body & Seat Assembly
13 (A)	Body
13 (B)	Seat
14	Disc Retainer Assembly
15	Gasket Red Fiber
16	Plug, Body Brass
17	Plug, 3/8" NPT

Factory Set Pressure	PSI per Turn*
2 - 6.5 set @ 3.5 psi	.61
2 - 30 set @ 10 psi	3.0
15 - 75 set @ 20 psi	9.0
20 - 105 set @ 60 psi	12.0
30 - 300 set @ 60 psi	27.0

\*Approximate-Final Adjustment should be with a pressure gauge and with flow.



Diaphragm & Yoke Alignment

