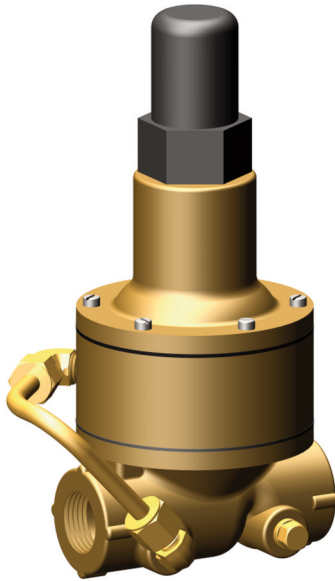




MODEL

55L

# Pressure Relief Valve



- **UL Listed**
- **Factory Mutual Approved**
- **Direct Acting - Precise Pressure Control**
- **Positive Dependable Opening**
- **Drip Tight Closure**
- **No Packing Glands or Stuffing Boxes**
- **Sensitive to Small Pressure Variations**

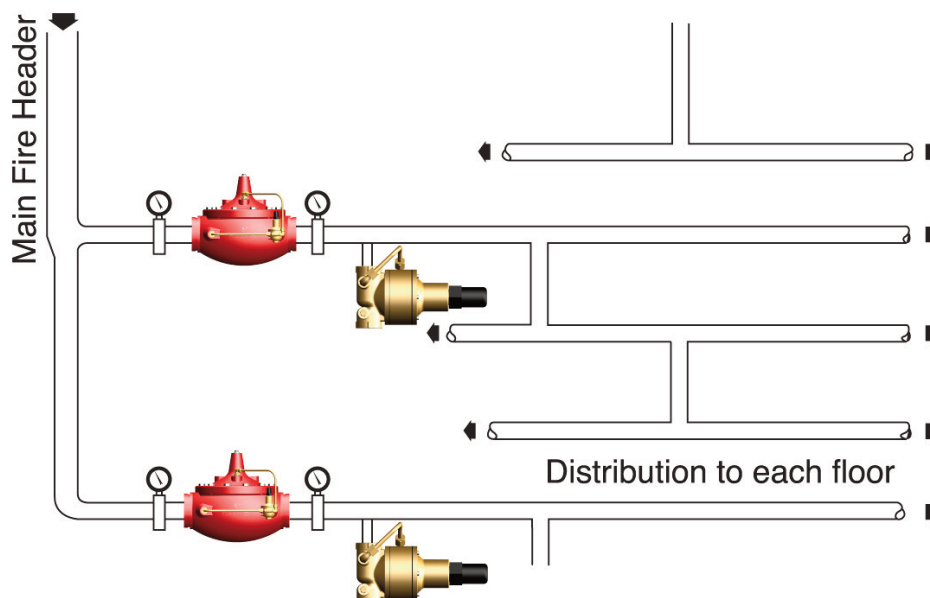
The Cla-Val Model 55L (**UL Listed, FM approved**) Pressure Relief Valve is a direct-acting, spring loaded, diaphragm type relief valve. The valve may be installed in any position and will open and close within very close pressure limits.

The Model 55L is normally held closed by the force of the compression spring above the diaphragm. When the controlling pressure applied under the diaphragm exceeds the spring setting, the disc is lifted off its seat, permitting flow through the control. When control pressure drops below the spring setting, the spring forces the control back to its normally closed position. The controlling pressure is applied to the chamber beneath the diaphragm through an external tube on the 55L.

Pressure adjustment is simply a matter of turning the adjusting screw to vary the spring load on the diaphragm. The 55L is available in three pressure ranges; 0 to 75 psi, 20 to 175 psi, 100 to 300 psi. To prevent tampering, the adjustment cap can be wire sealed by using the lock wire holes provided in the cap and cover.



**Note: Also Available in Seawater Service Material**



## Typical Application

### Fire Protection System Service

Using the **Model 55L** in a fire protection system or other closed type system, prevents pressure build-up whenever line pressure exceeds the setting of the spring. The valve will relieve excess pressure to atmosphere preventing damage to the distribution network.

## 55L Specifications

**Size** 1/2" & 3/4" (15 mm & 20 mm) Threaded  
**Temperature Range** Water, Air: to 180°F (82°C) Max.  
**Materials**  
 Body & Cover: Low Lead Bronze UNS 87850  
 Stainless Steel ASTM A743-CF-16Fa  
 Trim: Brass & Stainless Steel 303  
 Rubber: Buna-N® Synthetic Rubber

UL Listed 55L Range psi	Approximate Increase for Each Clockwise Turn of Adjusting Screw
20 to 175	28.0 psi

FM Approved 55L Range psi	Approximate Increase for Each Clockwise Turn of Adjusting Screw
0 to 75	8.5 psi
20 to 200	28.0 psi
100 to 300	18.0 psi

**Pressure Ratings** Cast Bronze 400 psi Max.  
 Stainless Steel 400 psi Max.

**Other Materials** Available on special order

**Adjustment Ranges** 0 to 75 psi  
 20 to 200 psi  
 100 to 300 psi

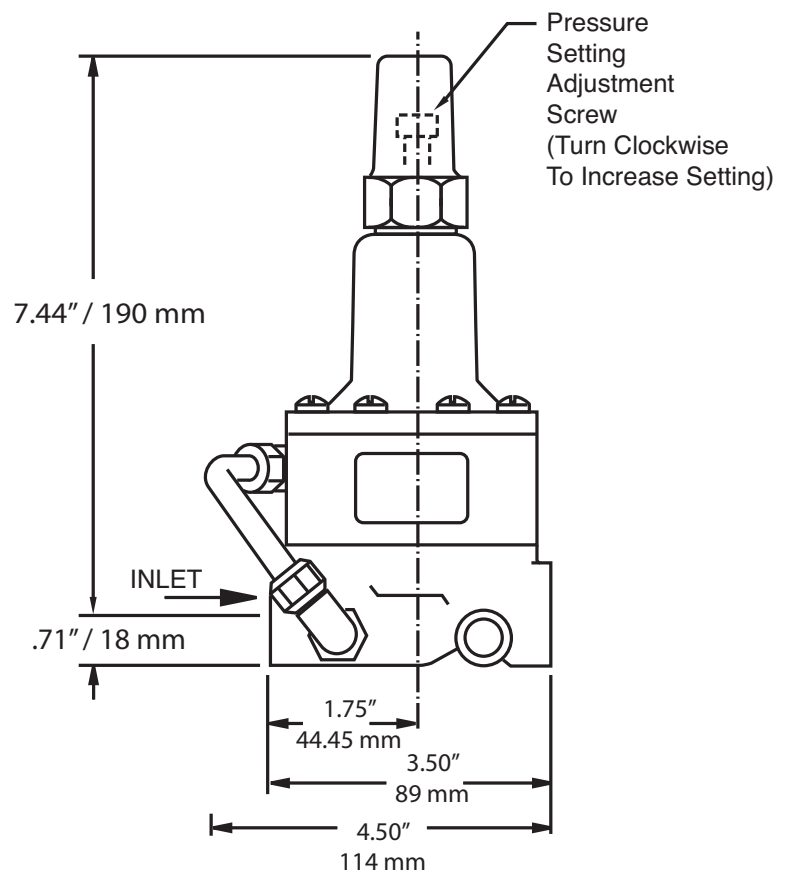
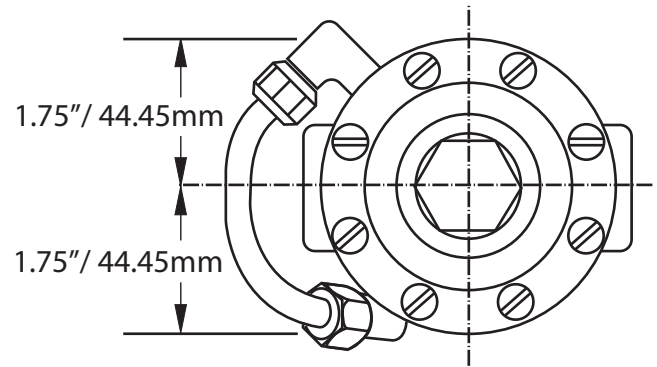
## Flow Loss Chart (Full Open Valve)

Valve Size	C <sub>v</sub> Factor	Flow of Water - Gallons Per Minute				
		5	10	16	20	30
		Flow of Water - Liters Per Second				
		.32	.64	1.00	1.26	1.89
1/2"	6.00	0.7	2.7	6	11	--
15mm	1.44	.04	.17	.39	.69	--
3/4"	8.50	0.3	1.4	3.1	5.5	12.2
20mm	2.04	.02	.09	.20	.35	.77

## When Ordering, Please Specify

1. Catalog No. 55L
2. Valve Size
3. Adjustment Range Desired
4. Optional Materials

## 55L Basic Valve Dimensions (inches & mm)



**0 to 75 and 20 to 175 psi design**



E-55L (R-03/2021)

## CLA-VAL

1701 Placentia Avenue • Costa Mesa CA 92627  
 800-942-6326 • Web Site: [www.cla-val.com](http://www.cla-val.com) • E-mail: [info@cla-val.com](mailto:info@cla-val.com)

**CLA-VAL CANADA**  
 4687 Christie Drive  
 Beamsville, Ontario  
 Canada L0R 1B4  
 Phone: 905-563-4963  
[www.cla-val.com](http://www.cla-val.com)  
 E-mail [sales@cla-val.ca](mailto:sales@cla-val.ca)

**CLA-VAL EUROPE**  
 Chemin des Mésanges 1  
 CH-1032 Romanel/  
 Lausanne, Switzerland  
 Phone: 41-21-643-15-55  
[www.cla-val.ch](http://www.cla-val.ch)  
 E-mail: [cla-val@cla-val.ch](mailto:cla-val@cla-val.ch)

**CLA-VAL UK**  
 Dainton House, Goods Station Road  
 Tunbridge Wells  
 Kent TN11 2 DH England  
 Phone: 44-1892-514-400  
[www.cla-val.ch](http://www.cla-val.ch)  
 E-mail: [info@cla-val.ch](mailto:info@cla-val.ch)

**CLA-VAL FRANCE**  
 Porte du Grand Lyon 1  
 ZAC du Champ du Pérrier  
 France - 01700 Neyron  
 Phone: 33-4-72-25-92-93  
[www.cla-val.ch](http://www.cla-val.ch)  
 E-mail: [cla-val@cla-val.ch](mailto:cla-val@cla-val.ch)

**CLA-VAL ASIA PACIFIC**  
 45 Kennaway Road  
 Woolston, Christchurch, 8023  
 New Zealand  
 Phone: 64-39644860  
[www.cla-valpacific.com](http://www.cla-valpacific.com)  
 E-mail: [info@cla-valpacific.com](mailto:info@cla-valpacific.com)