



Series 580

Silent Wafer Check Valve



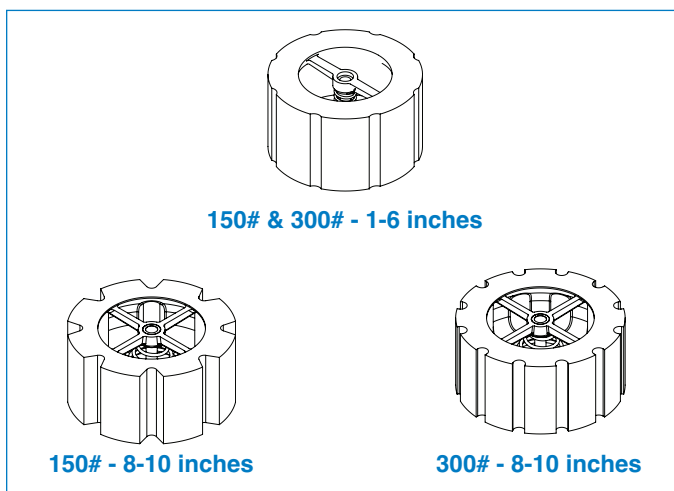
Meets the Federal
Mandate Limiting Lead
in Drinking Water

Product Advantages

- Operates Horizontally or Vertically
- Watertight Metal-to-Metal Seating
- Field Replaceable Parts
- Factory Mutual Approved – 4 through 10-inches
- Optional Resilient Seat

The Cla-Val Series 580 Silent Wafer Check Valve has a spring-loaded poppet that allows the valve to close before flow reversal occurs, resulting in a silent, non-slam closure. It is a truly silent check valve. For ease of installation, the valve can be installed in vertical or horizontal positions with flow up or flow down. The short lay length of the valve allows for a space-saving design. Silent Wafer Check Valves are available in sizes 1" to 10", with either a 125/150# or 250/300# pressure class rating.

Constructed of an epoxy coated ductile iron body with stainless steel trim, the Cla-Val Silent Wafer Check Valve offers watertight shutoff with metal-to-metal seating. For special applications, Buna-N® resilient seats are available as options. All materials conform to ASTM specifications, ensuring long lasting reliable performance. As a confirmation of Cla-Val's commitment to quality, all Series 580 125/250# class valves are Factory Mutual approved except those supplied with Buna-N® resilient seats.



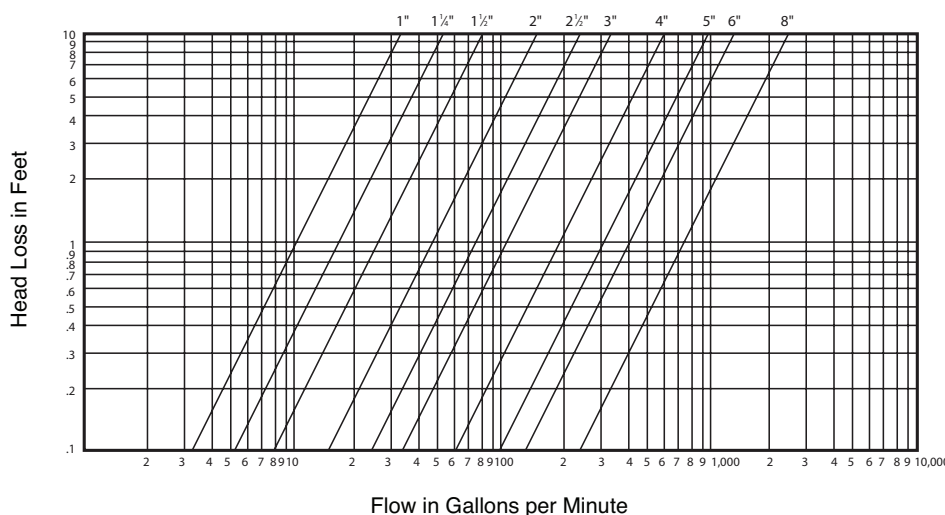
Approvals & Certifications

- 125/150 Class Valves 4 - 10-inches - FM Approved
- 125/150 & 250/300 Class Valves 1 - 10-inches meet Federal Mandate for Lead Content Limits

Pressure Ratings

- 125/150 (Rated to 250 psi)
- 250/300 (Rated to 400 psi)

Head Loss Characteristics for 580 Series
Wafer Style Silent Check Valves



Materials

Valve Body:

Ductile Iron - ASTM 536 65-45-12

Disc & Seat:

304 Stainless Steel -
SS ASTM A276 T304



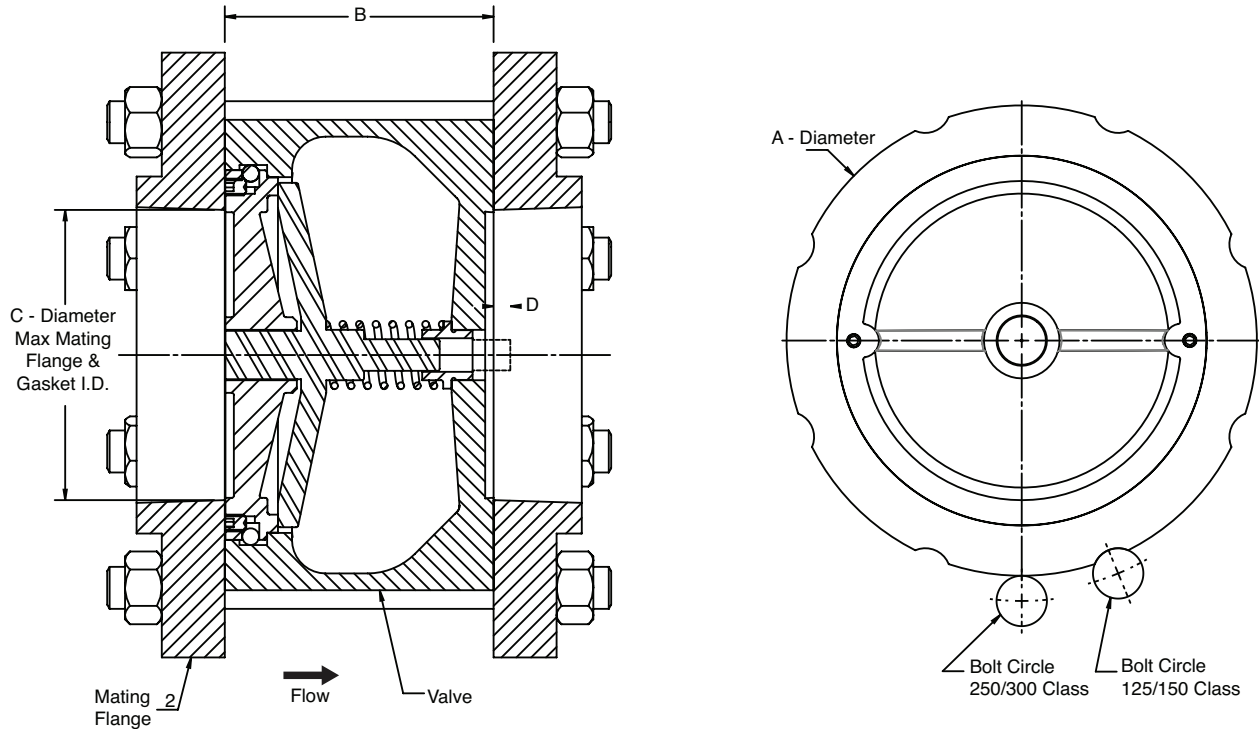
Spring:

316 Stainless Steel; Stone
Tumbled and Stress Relieved - SS
ASTM A276 T16

Note:

Standard offering is two-part epoxy coating interior and exterior

125/150 & 250/300 Class Silent Wafer Check Valve: 1 thru 6-inches



Valve Size (inches)	A	B	C	D
1	2.75	2.06	1.25	0.06
1.25	3.13	2.06	1.50	0
1.50	3.63	2.38	1.81	0.09
2	4.25	2.63	2.38	0
2.50	5.00	2.88	2.88	0
3	5.75	3.13	3.38	0.06
4	7.00	4.00	4.75	0.06
5	8.38	4.63	5.50	0.50
6	9.75	5.50	6.50	0.88

Valve Size (mm)	A	B	C	D
25	69.9	52.4	31.8	1.6
32	79.4	52.4	38.1	0
40	92.1	60.3	46.0	2.4
50	108.0	66.7	60.3	0
65	127.0	73.0	73.0	0
80	146.1	79.4	85.7	1.6
100	177.8	101.6	120.7	1.6
125	212.7	117.5	139.7	12.7
150	247.7	139.7	165.1	22.2

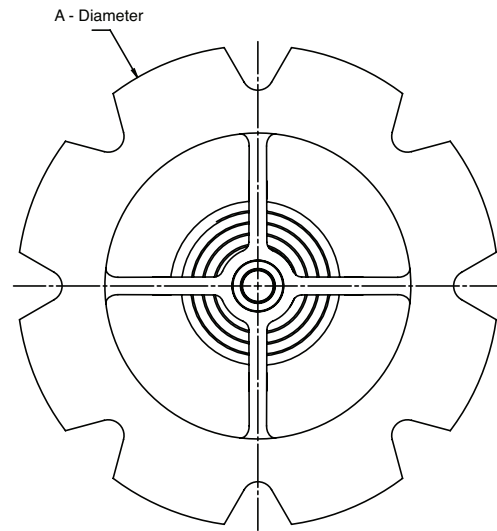
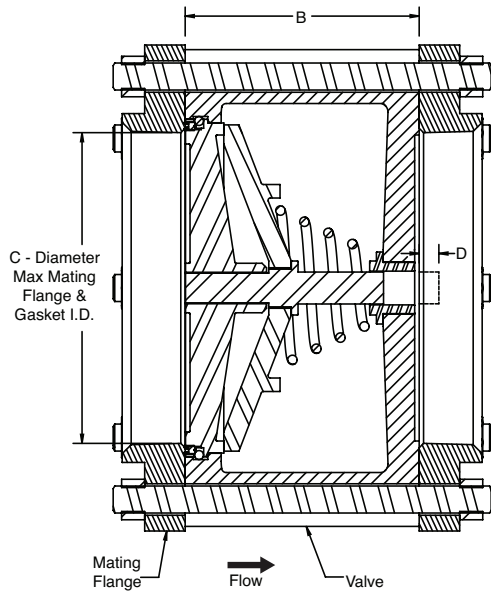
Note: Dimensions are the same for both 125/150 and 250/300 Class Valves.

Specifications

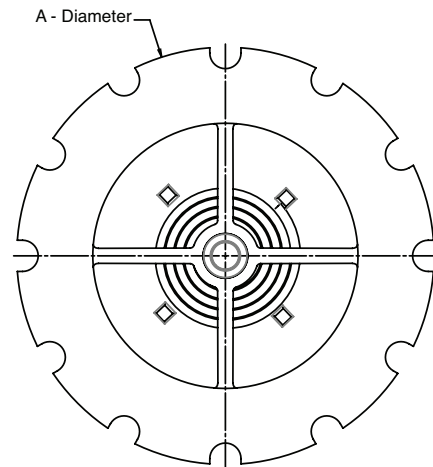
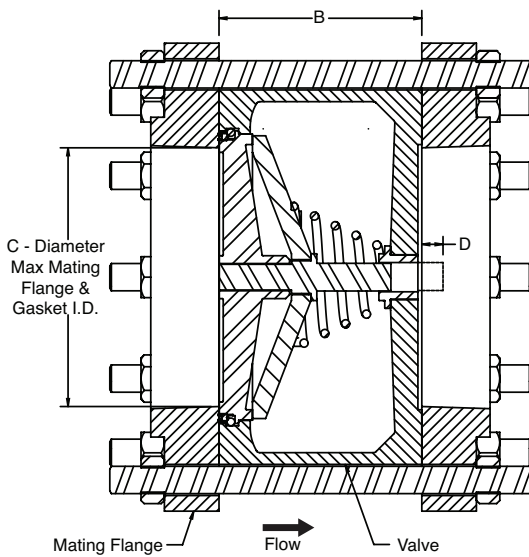
The silent wafer check valve shall consist of a heavy ductile iron body, stainless steel seat, disc, and steel spring. The valve disc shall be center guided at both ends with an integral shaft and shall be spring loaded for silent operation. The spring shall be helical or conical and stone tumbled to achieve a micro-finish to resist mineral deposits. For ease of maintenance, the seat and disc shall be replaceable in the field.

Check valve shall be capable of silent operation when installed in vertical or horizontal positions with either flow up or flow down. The flow area through the body shall be equal to or greater than the cross-section area of the equivalent pipe size.

125/150 Class Silent Wafer Check Valve: 8 & 10-inches



250/300 Class Silent Wafer Check Valve: 8 & 10-inches

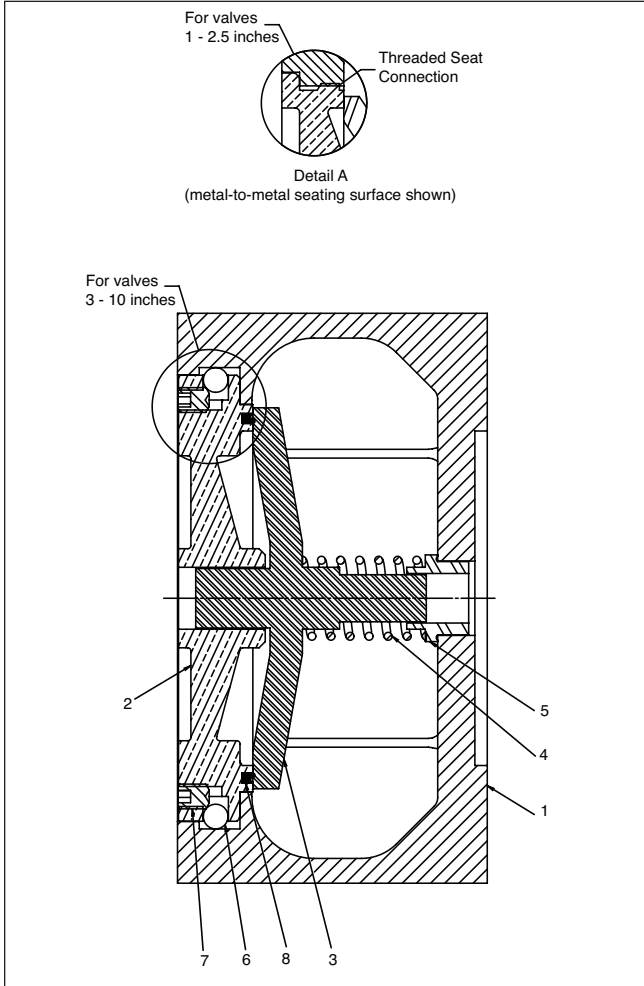


Valve Size (inches)	A	B	C	D
8	13.38	6.50	8.50	1.88
10	16.00	8.25	10.50	1.19

Valve Size (mm)	A	B	C	D
200	339.7	165.1	215.9	47.6
250	406.4	209.6	266.7	30.2

Note: Dimensions are the same for both 125/150 and 250/300 Class Valves.

580 Series Silent Wafer Check Valve Technical Data



Item	Description	Qty	Material Description
1	Body	1	Ductile Iron 536 65-45-12
2	Seat	1	SS ASTM A276 T304
3	Plug	1	SS ASTM A276 T304
4	Spring	1	SS ASTM A276 T316
5	Bushing	1	SS ASTM A276 T304
6	Seat Retaining Ball (3"-10")	2	SS ASTM A276 T304
7	Seat Retaining Screw (3"-10")	2	SS ASTM A276 T304
8	Optional Resilient Seat	1	Buna-N®

Typical Applications

Cla-Val 580 Series Silent Wafer Check Valves are used anywhere a quick, quiet closure is desired and in the majority of pump applications, including the following;

- Fire Pump Applications
- Vertical Turbine Pumps
- Booster Pump Stations in High Rise Buildings
- House Pump Applications

Maximum Non-Shock Service Pressure, PSI/kPa

Temp °F °C	Cast Iron ASTM A126 GR.B						Ductile Iron ASTM A536		Bronze ASTM B62		Carbon Steel ASTM A216 GR WCB				Stainless Steel ASTM A351 CF 8M			
	Class 125#			Class 250#			Pressure Class		Pressure Class		Pressure Class				Pressure Class			
	1-12" 25-300	14-24" 350-600	30" ≥ 750 ≥	1-12" 25-300	14-24" 350-600	30" ≥ 750 ≥	150	300	150	300	150	300	400	600	150	300	400	600
0-150 -18-66	—	—	—	—	—	—	—	—	225 1551	500 3447	—	—	—	—	—	—	—	—
-20-100 -29-38	—	—	—	—	—	—	250 1724	640 4413	—	—	285 1965	740 5102	990 6826	1480 10204	275 1896	720 4964	960 6619	1440 9928
-20-150 -29-66	200 1379	150 1034	150 1034	500 3447	300 2068	300 2068	242 1669	620 4275	—	—	272 1875	707 4875	945 6516	1415 9756	257 1772	670 4619	892 6150	1340 9239
200 93	190 1310	135 931	115 793	460 3172	280 1931	250 1724	235 1620	600 4137	210 1448	465 3206	260 1793	675 4654	900 6205	1350 9308	240 1655	620 4275	825 5688	1240 8549
250 121	175 1207	125 862	85 586	415 2861	260 1793	200 1379	235 1620	582 4013	195 1344	425 2930	245 1689	665 4585	887 6116	1332 9184	227 1565	590 4068	785 5412	1180 8136
300 149	165 1138	110 758	50 345	375 2586	240 1655	150 1034	215 1482	565 3896	180 1241	390 2689	230 1586	655 4516	875 6033	1315 9067	215 1482	560 3861	745 5137	1120 7722
Seat Test PSI kPa	200 1379	150 1034	150 1034	500 3447	300 2068	300 2068	275 1896	720 4964	300 2068	1000 6895	315 2172	815 5619	1090 7515	1630 11238	305 2103	795 5481	1060 7308	1585 10928
Shell Test PSI kPa	300 2068	230 1586	230 1586	750 5171	450 3103	450 3103	400 2758	975 6722	450 3103	1500 10342	450 3103	1125 7757	1500 10342	2225 15341	425 2930	1100 7584	1450 9997	2175 14996

F° PSI Inch
C° kPa Millimeter