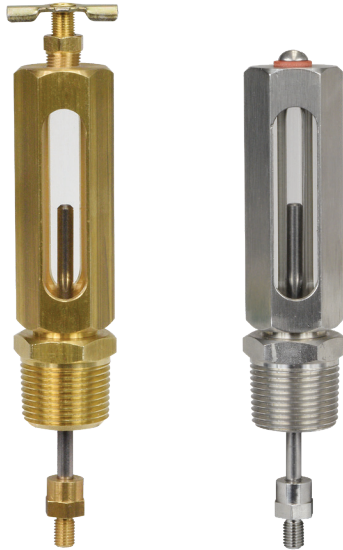




# Model **X101/X101D**

## Valve Position Indicator & Pilot System Components

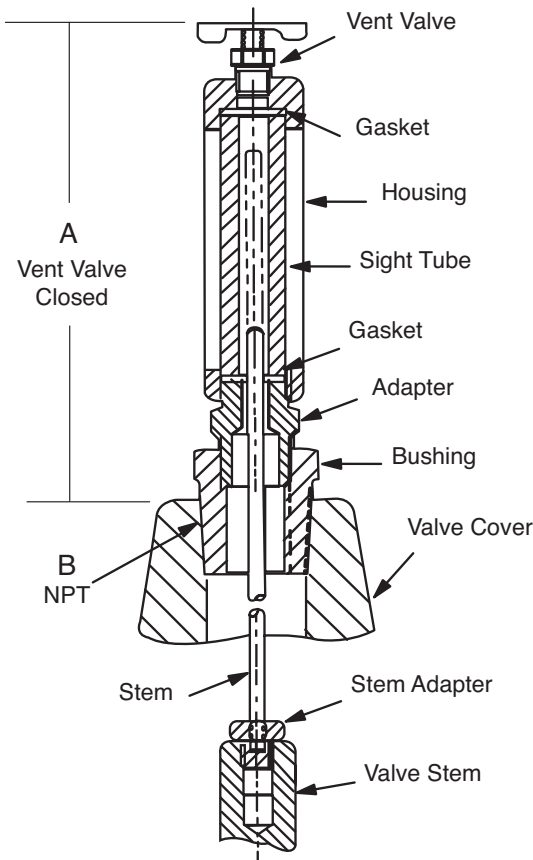


- **Positive Visual Indicator**
- **Frictionless**
- **Leak Proof**
- **Easy Maintenance and Cleaning**
- **Protected Indicator Rod**

The Cla-Val Model X101 Visual Position Indicator is designed to display Cla-Val valve position quickly and easily. A solid brass indicator rod fastened directly to the valve stem moves up and down inside a pyrex tube. The tube is contained within a brass housing which is open on two opposite sides to permit clear vision of the indicator rod.

To purge air that may be trapped in the valve cover, a vent valve in the top of the housing is provided. Model X101 valve position indicator is furnished complete for installation on specified size Cla-Val Automatic Control Valve.

### Dimensions



VALVE SIZE	A INCHES	B NPT
1"	5.88	1/4"
1 1/4"	3.21	1/4"
1 1/2"	3.21	1/4"
2"	3.33	1/2"
2 1/2"	3.33	1/2"
3"	3.33	1/2"
4"	4.52	3/4"
6"	4.52	3/4"
8"	5.83	1"
10"	7.70	1"
12"	8.20	1 1/4"
14"	8.20	1 1/2"
16"	10.81	2"
18"	12.04	1"
20"	12.04	1"
24"	12.04	1"

Dimension "A" is height added to valve by indicator assembly

### Specifications

- Sizes: 1" thru 24"  
 Materials: Brass, Pyrex Tube  
 Pressure Rating: 400 psi  
 Optional Material: Stainless Steel

### Installation

Can be installed on any Cla-Val basic main valve in a few minutes. Simply replace the fitting on top of the valve cover with the indicator assembly.

### When Ordering, Please Specify

1. Valve Size
2. Catalog No. X101
3. Valve Series No. (Appears on Valve Nameplate)
4. Optional Material  
Stainless Steel

### CSM-11 Solenoid Control

Body Material

Standard: Bronze with Monel Trim

Option: Bronze with Stainless Steel Trim



### CDS6A Altitude Control

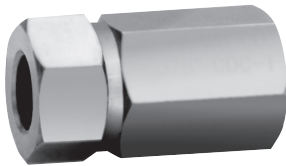
Wetted Body Material

Standard: Bronze with Stainless Steel Trim

No. of Springs	Altitude Ranges
1	5 - 40 ft
2	30 - 80 ft
3	70 - 120 ft
4	110 - 160 ft
5	150 - 200 ft



### CDC-1 Check Valve



Size	Body Material	Trim Material
3/8"-1/2"	Brass	Delrin

### CSC Swing Check Valve



Size	Body Material	Trim Material
3/8"-1"	Brass	Brass/Buna N

### CN Series - Needle Valves



Size	Body Material	Trim Material
1/4"-1"	Standard: Bronze	Brass
	Option: Stainless Steel	Stainless Steel

### CK Series - Isolation Valve



Size	Body Material	Trim Material
3/8"-1"	Standard: Bronze	Stainless Steel/Teflon
	Option: Stainless Steel	Stainless Steel/Teflon



E-X101/X101D (R-01/2025)

## CLA-VAL

1701 Placentia Avenue • Costa Mesa, CA 92627  
 800-942-6326 • Web Site: [www.cla-val.com](http://www.cla-val.com) • E-mail: [info@cla-val.com](mailto:info@cla-val.com)

**CLA-VAL CANADA**  
 4687 Christie Drive  
 Beamsville, Ontario  
 Canada L0R 1B4  
 Phone: 905-563-4963  
[www.cla-val.com](http://www.cla-val.com)  
 E-mail: [sales@cla-val.ca](mailto:sales@cla-val.ca)

**CLA-VAL EUROPE**  
 Chemin des Mésanges 1  
 CH-1032 Romanel/  
 Lausanne, Switzerland  
 Phone: 41-21-643-15-55  
[www.cla-val.ch](http://www.cla-val.ch)  
 E-mail: [info@cla-val.ch](mailto:info@cla-val.ch)

**CLA-VAL UK**  
 Dainton House, Goods Station Road  
 Tunbridge Wells  
 Kent TN1 2 DH England  
 Phone: 44-1892-514-400  
[www.cla-val.ch](http://www.cla-val.ch)  
 E-mail: [info@cla-val.co.uk](mailto:info@cla-val.co.uk)

**CLA-VAL FRANCE**  
 Porte du Grand Lyon 1  
 ZAC du Champ du Périer  
 France - 01700 Neyron  
 Phone: 33-4-72-25-92-93  
[www.cla-val.ch](http://www.cla-val.ch)  
 E-mail: [info@cla-val.ch](mailto:info@cla-val.ch)

**CLA-VAL ASIA PACIFIC**  
 45 Kennaway Road  
 Woolston, Christchurch, 8023  
 New Zealand  
 Phone: 64-39644860  
[www.cla-valpacific.com](http://www.cla-valpacific.com)  
 E-mail: [info@cla-valpacific.com](mailto:info@cla-valpacific.com)